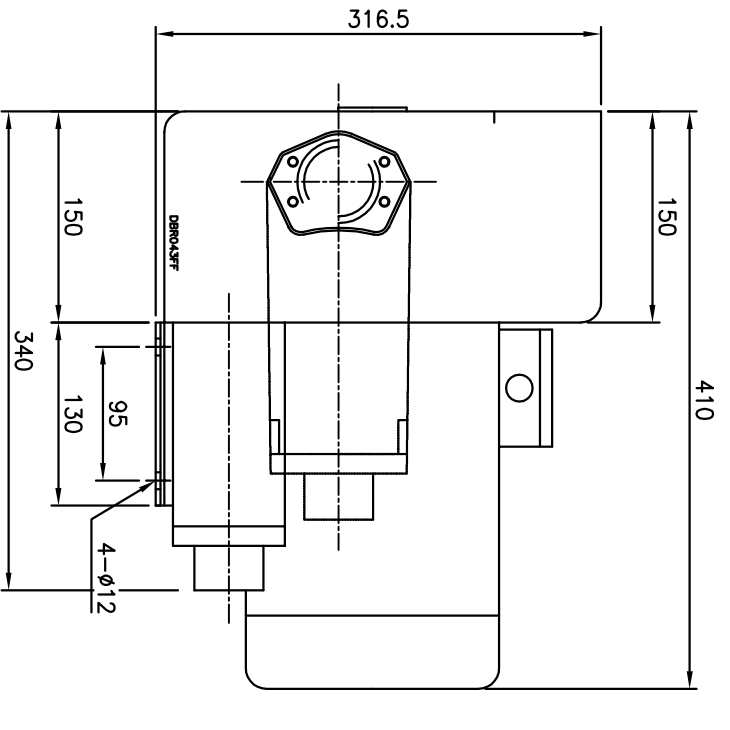
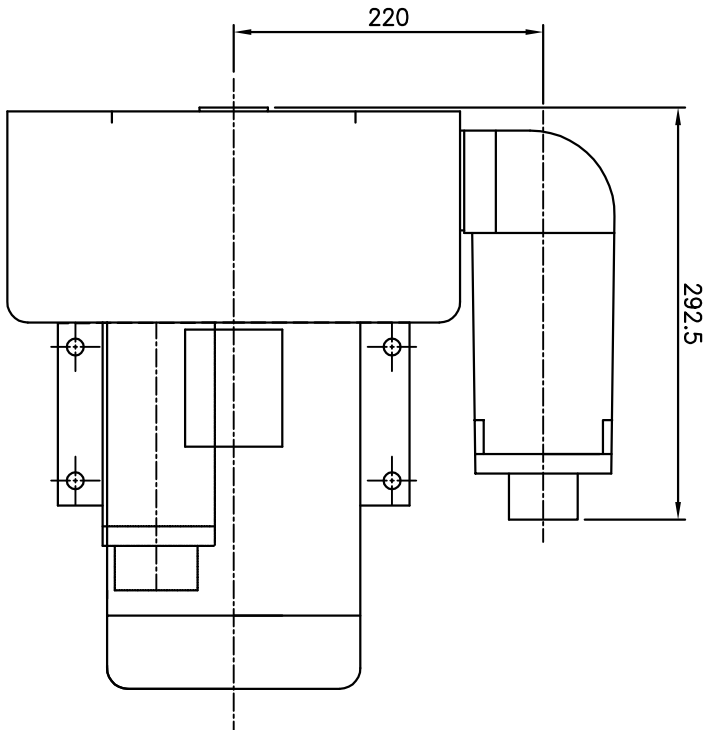
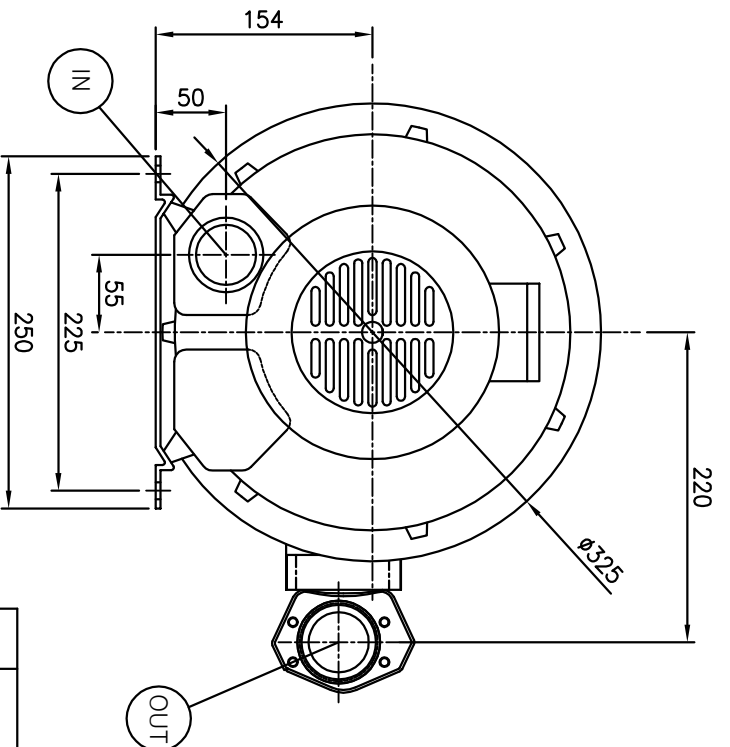


REVISIONS	
NO.	DESCRIPTION



Kw	Hp	상	풍토출구경 (A)	Hz	풍량 (m ³ /min)	최대토출입 (mmφ)	정격토출입 (mmφ)	최대진공입 (mmφ)
1.5	2	3φ	32	60	1.65	4000	3000	2200

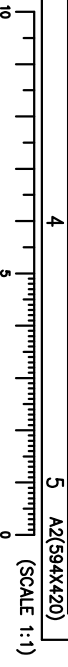
전압 (VOLT)	전류 (A)	소음 (dB)	중량 (kg)
220/380	5.9/2.8	68	19.5



COMMERCIAL TOLERANCE(mm)		COMPARISON OF SURFACE ROUGHNESS	
MACHINING	TOL.	CANNING	TOL.
1-4	±0.1	less than 250	±1.5
4-16	±0.2	250-500	±2.0
16-63	±0.3	500-1000	±2.5
63-250	±0.5	1000-2000	±3.0
250-1000	±0.8	2000-4000	±4.0
1000-2000	±1.0	4000-8000	±6.0
2000-5000	±1.5		±8.0

NO	DESCRIPTION	SPECIFICATION	Q'TY	MATERIAL	WEIGHT	REMARKS

DATE	2018.06	DESIGNED BY		CHECKED BY		APPROVED BY	
WEIGHT	Kg	SCALE	1 / 1	TITLE			
DRAWN BY							DRAWING NO.
Moobico.Co.,Ltd.							2E RING BLOWER
							MBR-042



AZ(S94K420)