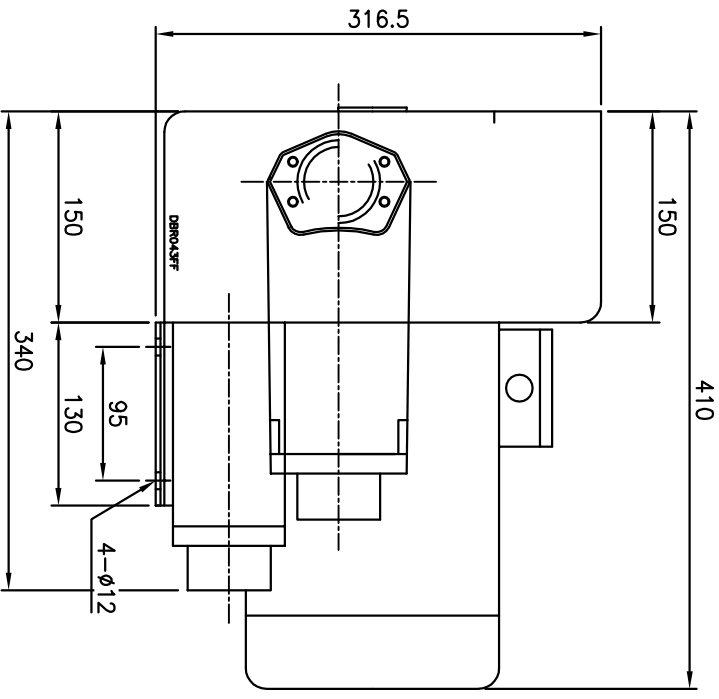
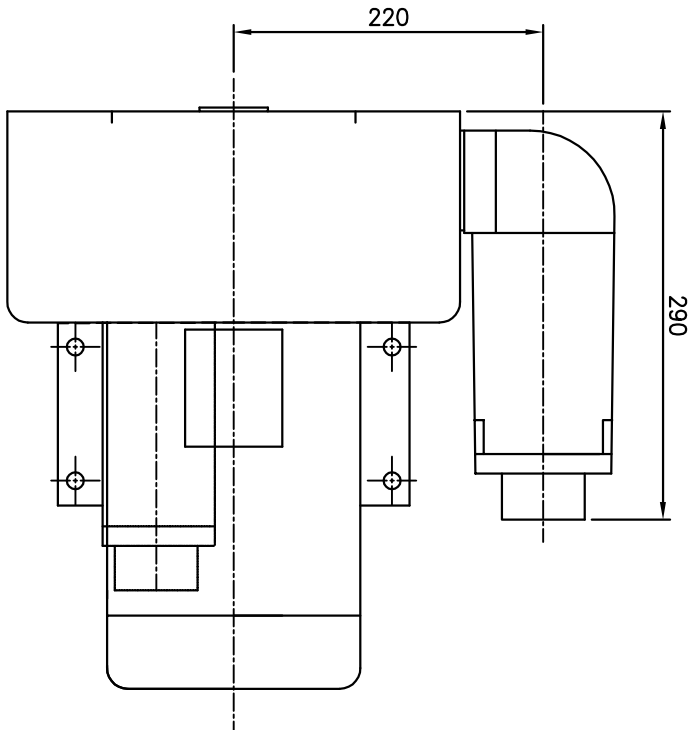
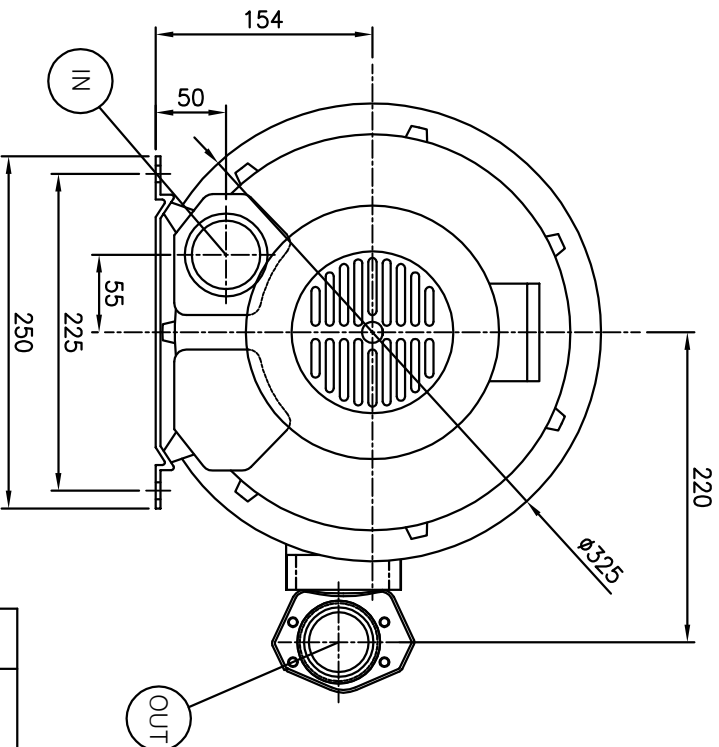


REVISIONS	
NO.	DESCRIPTION
△	
△	



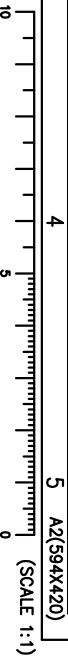
Kw	Hp	상	풍토출구경 (A)	Hz	풍량 (m ³ /min)	최대토출입 (mmφ)	정격토출입 (mmφ)	최대인공입 (mmφ)
2.55	3	3φ	40	60	2.9	6000	4000	3000

전압 (VOLT)	전류 (A)	소음 (dB)	중량 (kg)
220/380	9.5/5.1	71	37.5



COMMERCIAL TOLERANCE(mm)		COMPARISON OF SURFACE ROUGHNESS	
MACHINING	TOL.	CANNING	TOL.
1-4	±0.1	less than 250	±1.5
4-16	±0.2	250-500	±2.0
16-63	±0.3	500-1000	±2.5
63-250	±0.5	1000-2000	±3.5
250-1000	±0.8	2000-4000	±6.0
1000-2000	±1.0	4000-8000	±8.0
2000-5000	±1.5		

NO	DESCRIPTION	SPECIFICATION	Q'TY	MATERIAL	WEIGHT	REMARKS
DATE	2018.06	WEIGHT	Kg	SCALE	1 / 1	
DRAWN BY		DESIGNED BY	CHECKED BY	APPROVED BY	TITLE	
						1 ST RING BLOWER
						MBR-043
						DRAWING NO.



AZ(S94K420)