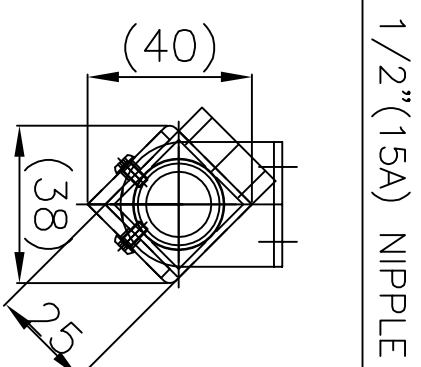
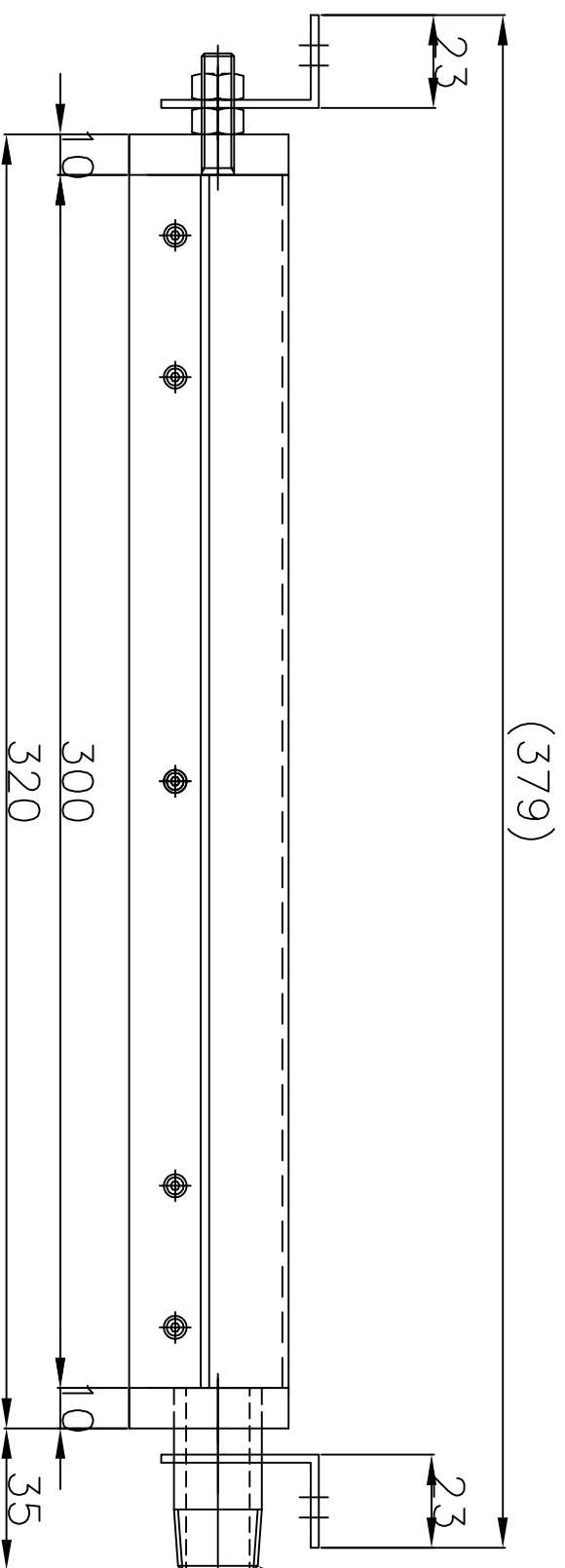
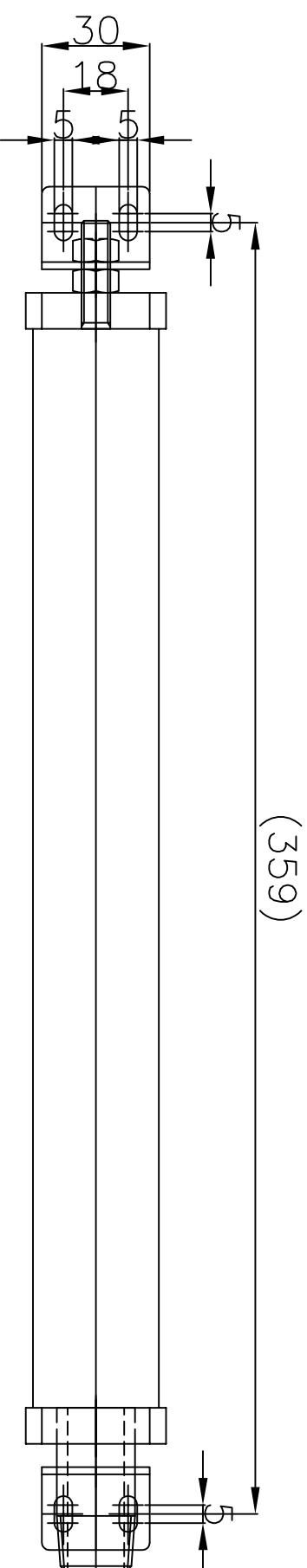


REVISIONS	
NO.	DESCRIPTION
△	
△	

기본 사양	
1	MODEL ZS15-300L-1-S1
2	재질 SUS 316 어티타늄 or 하스텔로이
3	후처리 전해연마
4	배관형식 15A HOSE or STEEL PIPING
5	INLET PORT 15A SIDE 1PORT
6	슬릿 간격 MAX1mm
7	풍속편차 ±3% 이내
8	유호길이 300mm
9	취부형식 BRACKET 제공(라도 조절 TYPE)



1/2"(15A) NIPPLE

COMMERCIAL TOLERANCE(mm)		COMPARISON OF SURFACE ROUGHNESS	
MACHINING	TOL	100-μm	▽
CANNING	TOL	100-μm	▽
HEAT TREATMENT			
PROJECTION			

NO	DESCRIPTION	WEIGHT	SPECIFICATION	SCALE	Q'TY	MATERL	WEIGHT	REMARKS
DATE	2018.03			1 / 1				
DRAWN BY								
DESIGNED BY								
CHECKED BY								
APPROVED BY								
TITLE	ZS15-300L-1-S1							
CUSTOMER	AIR KNIFE ASS'Y							
DRAWING NO.	MBA-15A-000							

NOTE
 1. 날카로운 모서리 제거할것.
 2. BOLT HOLE간 거리 허용공차 ±0.2 이내일것. ~ ▽

