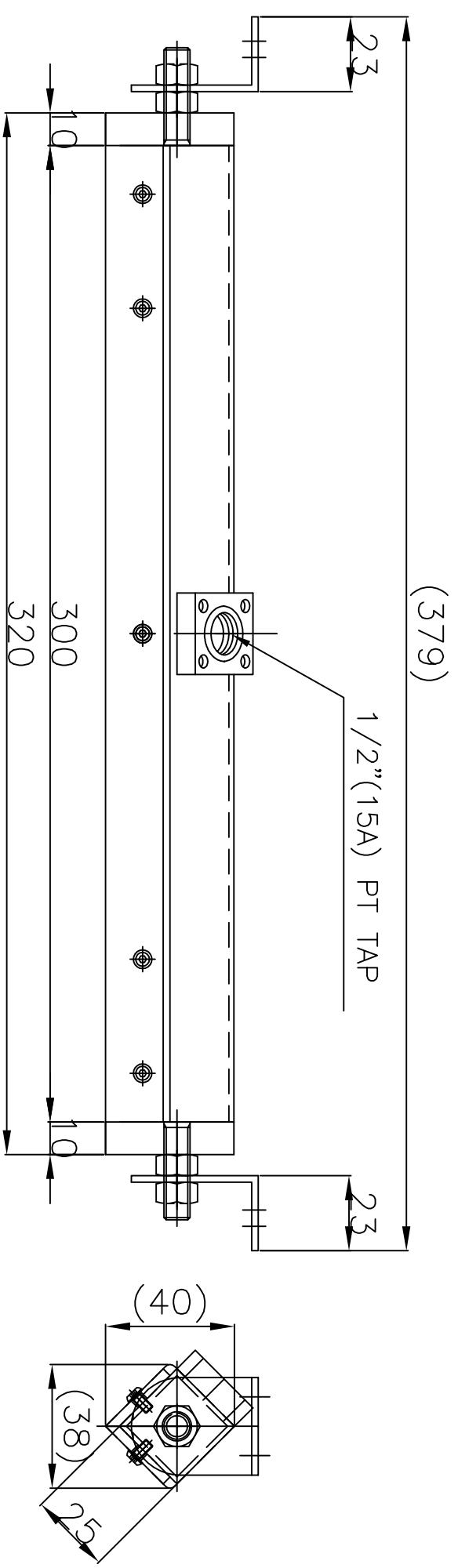
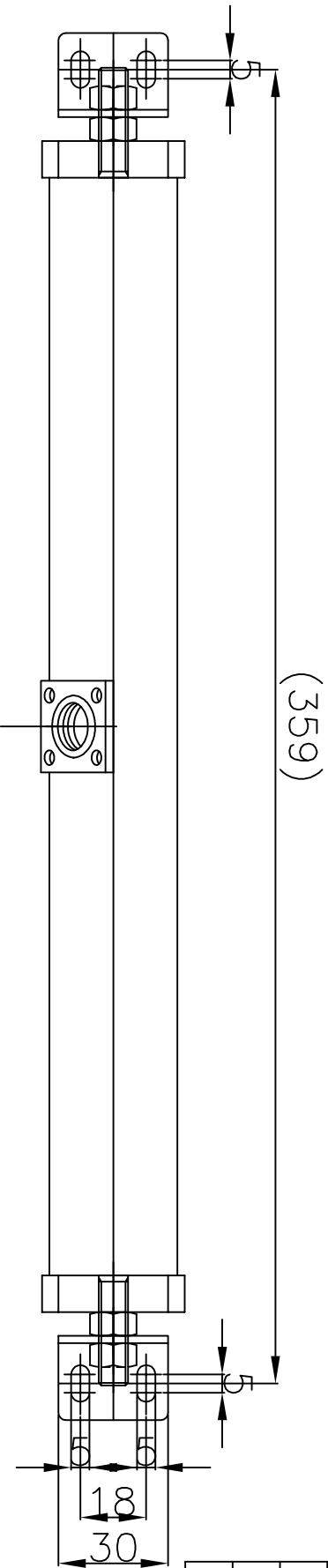


REVISIONS	
NO.	DESCRIPTION
△	
△	

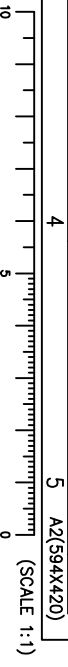
기본 사양	
1	MODEL ZS15-300L-1-U1
2	재질 SUS 316 이터티 텅스텐 or 하스텔로이
3	후처리 전해연마
4	배관형식 15A HOSE or STEEL PIPING
5	INLET PORT 15A UPPER 1 PORT
6	슬릿 간격 MAX1mm
7	풍속편차 ±3% 이내
8	유출길이 300mm
9	취부형식 BRACKET 체결(각도 조절 TYPE)



- NOTE**
1. 날카로운 모서리 제거할것.
 2. BOLT HOLE간 거리 허용공차 ±0.2 이내일것. ~ ▽

COMMERCIAL TOLERANCE(mm)	
MACHINING	
DIMENSION	TOL
1-16	±0.2
16-43	±0.3
43-250	±0.5
250-500	±0.8
500-1000	±1.0
1000-2000	±1.5
2000-5000	±2.0
CANNING	
DIMENSION	TOL
1mm	±0.1
1-250	±0.2
250-500	±0.3
500-1000	±0.5
1000-2000	±0.8
2000-5000	±1.0
5000-10000	±1.5
10000-20000	±2.0
20000-50000	±3.0

NO	DESCRIPTION	WEIGHT	SPECIFICATION	SCALE	Q'TY	MATER'L	WEIGHT	REMARKS
DATE	2018.03			1 / 1				
DRAWN BY								
DESIGNED BY								
CHECKED BY								
APPROVED BY								
TITLE	ZS15-300L-1-U1							
CUSTOMER	AIR KNIFE ASS'Y							
DRAWING NO.	MBA-15A-000							



A2(594420)